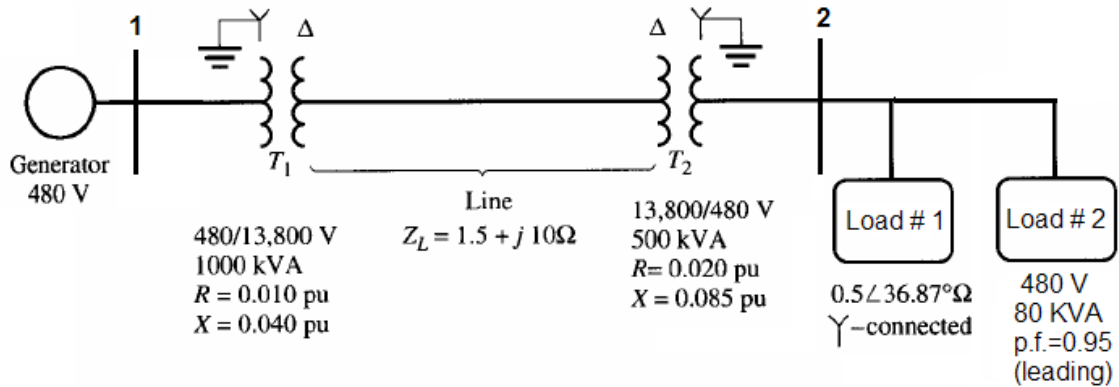


EE 341 – ENERGY CONVERSION

1. The following figure shows a power system consisting of a three-phase 480-V, 60-Hz generator supplying to two three-phase loads through a transmission line with a pair of transformer at either end.



- Sketch the per-phase equivalent circuit of this power system.
- Assuming the voltage at bus 1 to be $1 \angle 0^\circ$ p.u., compute the voltage at bus 2.