



The Ohio State University
Department of Electrical Engineering

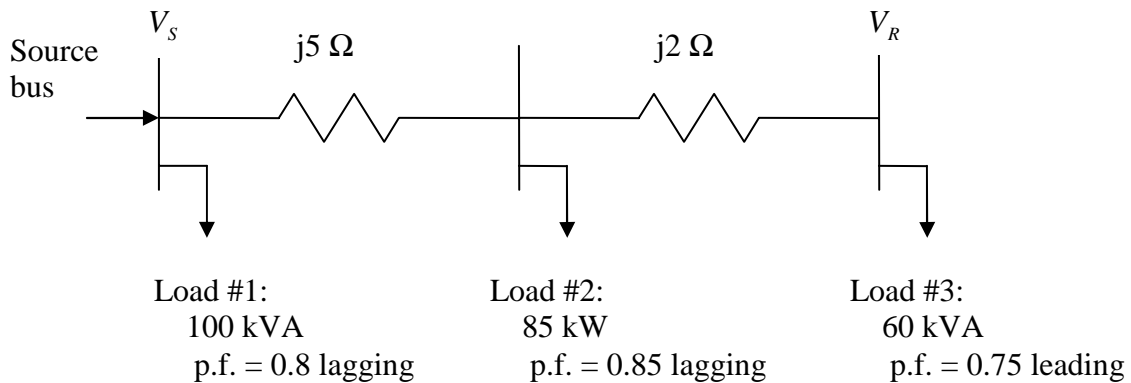
EE 341

Energy Conversion
Home work Set # 2

Print Your Name

The Last Four Digits of Your OSU I.D. number:

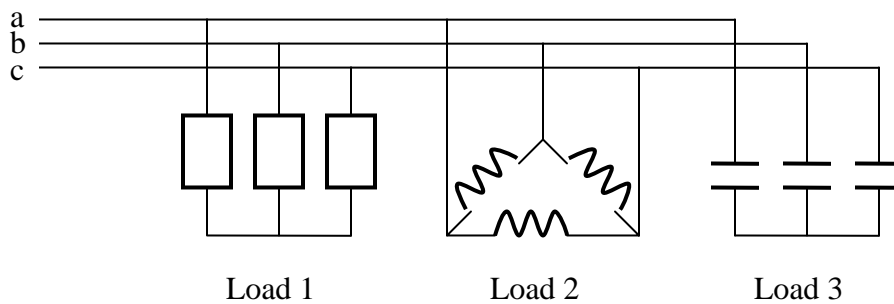
Problem 1: Consider a 3- ϕ distribution system as shown below:



Compute the following:

- 1) The source voltage V_S , if V_R is to be maintained at 2.2 kV.
- 2) The source current and power factor at the source.
- 3) The total complex power supplied by the source.
- 4) How much reactive power should be connected to the source bus for obtaining unity power factor at the source bus?
- 5) Write Matlab code to solve the above problems. Please submit the Matlab code and the results.

Problem 2: A balanced three-phase, three-wire feeder has three balanced loads as shown:



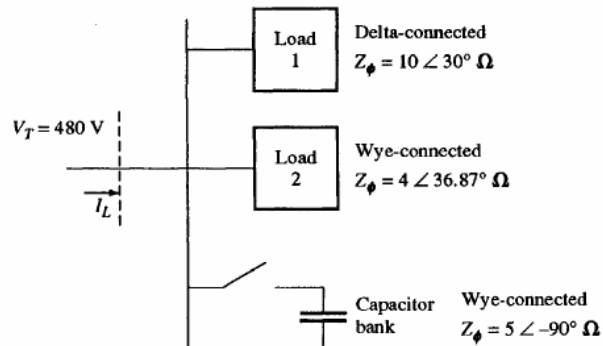
Load 1 are three lamps, each rated 100 watts at 120 volts. Load 2 are three inductors, each having an inductance of 0.1 Henry. Load 3 are three capacitors, each having a capacitance of 100 μ F.

The line-to-line voltage on the feeder is 220 volts, and the frequency is 60 Hz. Find the source current in the feeder lines and the power delivered by the source.

Problem 3: Solve problem A-4 (textbook, page 673) See next page:

Problem 3: Solve problem A-4 (textbook, page 673)

A-4. Figure A-19 shows a small 480-V distribution system. Assume that the lines in the system have zero impedance.



- (a) If the switch shown is open, find the real, reactive, and apparent powers in the system. Find the total current supplied to the distribution system by the utility.
- (b) Repeat part (a) with the switch closed. What happened to the total current supplied? Why?